

SUBJECT SPECIFICATION SHEET

Linear Architectural Prism

CUSTOMER PROJECT

Project: _____
 Type: _____
 Cat. No.: _____
 Qty: _____
 Date: _____
 EEL Rep: _____



Telephone: 905 415 8878 Fax Number: 905 415 8872 Toll Free Telephone: 855 415 8878 Toll Free Fax: 855 415 8872

DESCRIPTION

The LED Linear Architectural Prism employs a modern and aesthetic design for indoor spaces. The new prismatic fixture is an upgraded solution for focused illumination for offices, work spaces, retail and reception areas. Simple yet stylish to accommodate a wide variety of usage environments.

SPECIFICATION FEATURES

Construction

- Casing made of one-piece 6063 aluminum frame
- High quality powder coating finishing
- Polycarbonate (PC) lens
- Performance-engineered lens
- Optional custom end joints available (Contact us for details)
- 10 ft 5-conductor 300V cord included

Mounting

- Surface Mount
- Suspension Mount
- Easy end-to-end continuous row mount with included connector plate
 - Every 2 fixtures require >3 mounting points.
 - Every 4 fixtures require >5 mounting points.
 - Continuously row mount up to 20 x 4' units
 - Included power cord (18AWG) can power 10 x 4' units.
- 120" (10ft) air craft cable and ceiling canopies for suspension mount
- Fixture Weight: 6.41lbs/2.91kg

Finish

- Textured White
- Textured Black
- Matte White (Retired)

Beam Angle

- 104°

Shielding

- Opal polycarbonate lens delivers unique beam angles and reduces glare.

Compliance

- Suitable for damp locations
- cUL
- The basic standard used to investigate products that are UL 1598 ("Luminaires") certified, also conforms to CSA-C22.2 No. 250.0 ("Luminaires").

Warranty

- 5-Year Warranty (Standard)
- 10-Year Limited Warranty (Optional)

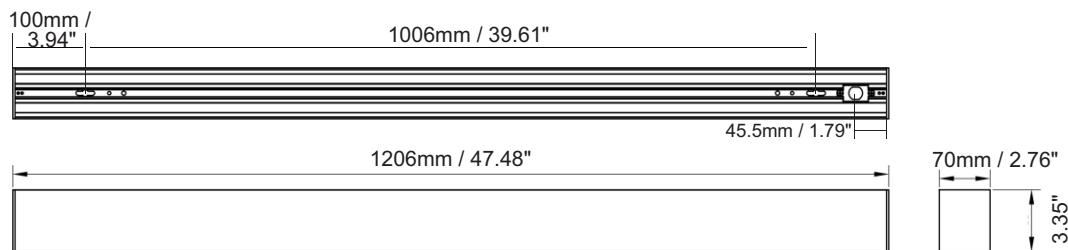


LAP SERIES

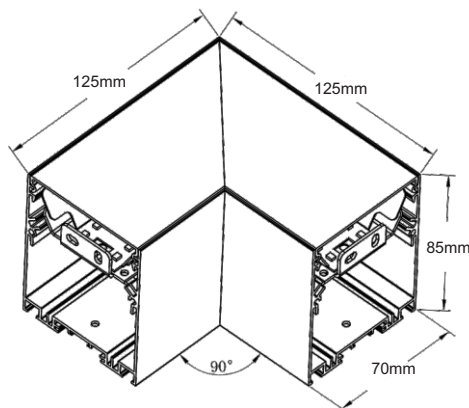
Linear Architectural Prism

Wattage(s)	40W
Voltage	120-277V
Dimmable	0-10V
CCT	3500K 4000K
Efficacy	115lm/W
Lumen Maintenance	Theoretical L70 > 136,000h Lumen maintenance at 36,000 hrs = 91.1%
CRI	>80
Inherent Surge Protection	2.5kV
Power Factor	>0.9
Total Harmonic Distortion	≤ 20%
Operating Temperature	-20°C to 45°C

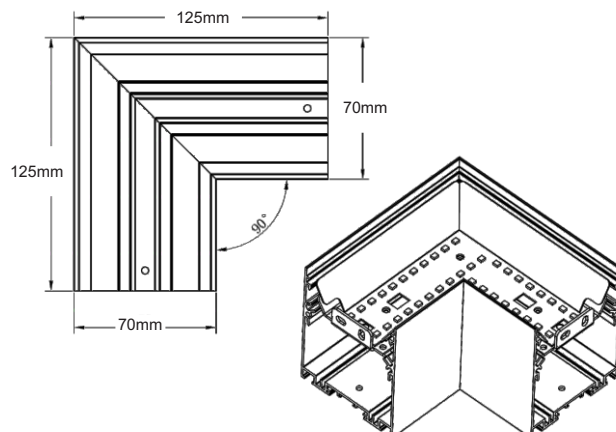
Note: Not recommended to be used in application with chemical processing; for applications with chemical processing, fixtures rated for IP65 and higher are recommended



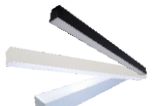



LAP-4-40W Dimensions
 mm | 1206(L) x 70(W) x 85(H)
 inch | 47.48(L) x 2.76(W) x 3.35 (H)



L-Shaped Connector Dimensions
 mm | 125(L) x 125(W) x 85(H)
 inch | 4.9(L) x 4.9(W) x 3.35 (H)



ORDERING CODE, ENERGY AND PERFORMANCE DATA

	Model No.	Delivered Lumens (lm)	Input Watts (W)	Voltage (V)	Colour Temp. (K)	Efficacy (lm/W)	Certification
	LAP-4-40W40K	4596	40	120-277	4000K	115	
	LAP-4-40W35K	4596	40	120-277	3500K	115	

NOTE:
• Lumens are estimated

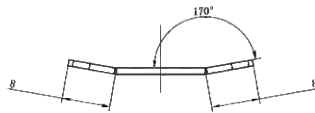
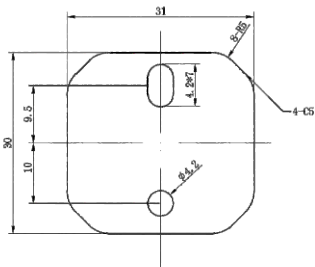
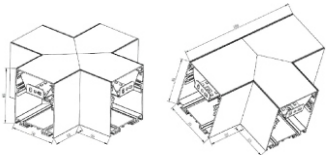
ACCESSORIES INCLUDED

LAP-10ACC | Linear Architectural Prism 10ft Aircraft cable + Ceiling Canopies (matte white / textured white / textured black)
LAP-Connector | Linear Architectural Prism Connector
Power Cord | 10 ft 5-conductor 300V cord (white)

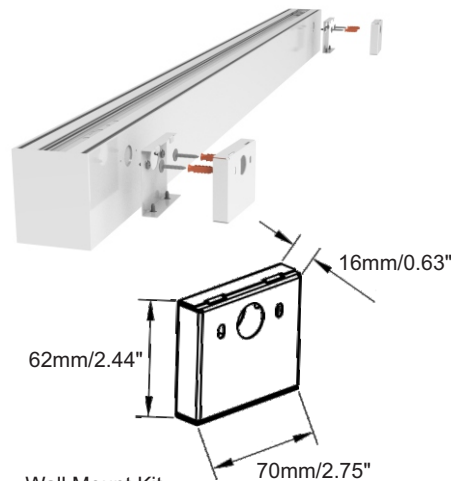
OPTIONAL ACCESSORIES

Custom Power Cord | 5-conductor 300V cord in custom length and colour (white/black)
LAP-LSHAPE 35K | Linear Architectural Prism L-Shape Connector, 3500K, Textured White & Textured Black
LAP-LSHAPE 40K | Linear Architectural Prism L-Shape Connector, 4000K, Textured White & Textured Black
LAP-CUSTOMLENS | Custom lens in desired length available (Multiples of 4 is required)
LAP-RMA | 4ft Recessed Flanged Mount
LAP-RMB | 4ft Recessed Mud-in Mount
PRISM-U-A2107-MKWALL | Wall Mount Kit

Cross-shape / T-shape end joints are available via special order



LAP-Connector



Wall Mount Kit

*Driver must support a 12V DC output, otherwise a separate 12V DC line is required.
Please allow for tolerance on specifications and dimensions.
If required, please consult EEL.

APPLICATION



Recessed Mount
using LAP-RMA

Surface Mount

Suspension Mount